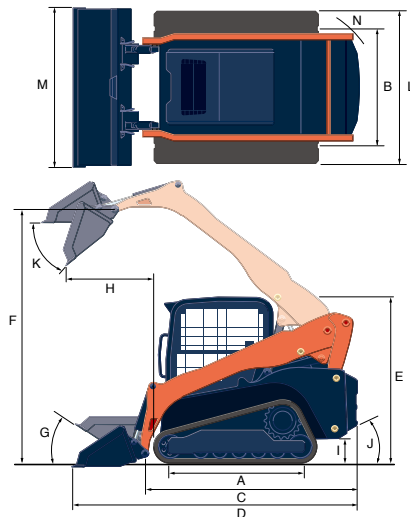


## Specifications

Model		SVL75-3		
Type of operator station		Open CAB / Closed CAB		
Engine	Model	V3307-TE5A		
	Output (SAE J1995 gross)	HP (kW)/rpm	74.3 (55.4) / 2400	
	Output (SAE J1349 net)	HP (kW)/rpm	73.2 (54.6) / 2400	
	Displacement	cu.in. (cc)	203.2 (3331)	
	Cylinders	4		
	Bore x Stroke	in. (mm)	3.7 (94) x 4.7 (120)	
	Aspiration	Turbocharged		
Loader Performance	Rated operating capacity-35% tipping load	lbs. (kg)	2490 (1129)	
	Rated operating capacity-50% tipping load	lbs. (kg)	3557 (1613)	
	Tipping load	lbs. (kg)	7112 (3226)	
	Breakout force	Bucket	lbf. (kg)	6191 (2808)
		Lift arm	lbf. (kg)	4723 (2142)
	Lift arm path	Vertical		
Undercarriage	Track Width	Standard	in. (mm)	12.6 (320)
		Wide	in. (mm)	15.8 (400)
	Ground pressure	Standard	psi	5.8 / 5.9
		Wide	psi	4.7 / 4.8
	Track rollers (per side)	4		
	Track ground contact length	in. (mm)	56.5 (1436)	
	Travel speed	Low	mph (km/h)	5.6 (9.0)
		High	mph (km/h)	8.6 (13.7)
Traction force	lbf. (kgf)	9678 (4390)		
Min. ground clearance	in. (mm)	11.7 (296)		
Hydraulic system	Aux. hydraulic flow	Std. / High Flow gpm (ℓ/min.)	19.2 (72.7) / 29.8 (112.8)	
	Aux. hydraulic pressure	psi (kgf/cm <sup>2</sup> )	3185 (224.0)	
Service refill capacities	Hydraulic system	gal. (ℓ)	12.2 (46)	
	Hydraulic tank	gal. (ℓ)	4.3 (16.1)	
	Fuel tank	gal. (ℓ)	25.0 (94.6)	
Operating weight (Includes operator weight 165lbs.)	lbs. (kg)	9190 (4169) / 9420 (4273)		

## Dimensions



Model		SVL75-3	
A	Length of track on ground	in. (mm)	56.5 (1436)
B	Track gauge	in. (mm)	53.3 (1355)
C	Length w/o bucket	in. (mm)	112 (2844)
D	Length w/bucket on ground	in. (mm)	142.1 (3609)
E	Height to top of cab	in. (mm)	81.8 (2078)
F	Bucket hinge pin height at max. lift	in. (mm)	122.7 (3117)
G	Rollback angle at carry position	degree	27
H	Reach at max. lift and dump	in. (mm)	39.6 (1007)
I	Ground clearance	in. (mm)	11.7 (296)
J	Departure angle	degree	31.1
K	Max. dump angle	degree	38.5
L	Vehicle width Standard track / Wide track	in. (mm)	65.9 (1675) / 69.1 (1755)
M	Width with bucket	in. (mm)	68 (1727)
N	Turning radius from center-machine rear	in. (mm)	57.8 (1468)

Kubota Tractor Corporation reserves the right to change the stated specifications without notice. This brochure is for descriptive purposes only and reasonable efforts were used to set forth the contained information; some items shown may be optional and some products shown may not be available at all dealerships. Kubota disclaims all representations and warranties, express or implied, or any liability from the use of this brochure. For complete warranty, safety and product information, consult your local Kubota dealer and the operator's manual. Power (HP/KW) and other specifications are based on various standards or recommended practices. For your safety, Kubota strongly recommends the use of a Rollover Protective Structure (ROPS) and seat belt in almost all applications. This brochure is intended for the United States and US territories only. For information regarding Kubota products or services outside these areas, see Kubota Corporation's global web site. Kubota does not provide parts, warranty or service for any Product which is re-sold or retailed in any country other than the country for which the Product(s) were designed or manufactured.



**KUBOTA TRACTOR CORPORATION**

1000 Kubota Drive, Grapevine, TX 76051 Tel 888-4 KUBOTA

Visit our web site at: [www.kubotausa.com](http://www.kubotausa.com)

©2022 Kubota Corporation



**Kubota  
Genuine Parts**  
for maximum  
performance,  
durability and  
safety



**For Earth, For Life**

**Kubota**

**SVL**

**KUBOTA COMPACT TRACK LOADER  
SVL75-3**

Kubota Performance, Comfort and Reliability allow you to work faster, longer and more efficiently.





# What is your request? More productivity? More comfort? Less downtime?

Here's the Compact Track Loader you've been waiting for. With a new hydraulic system, added technology and innovative features, the SVL75-3 satisfies a wide range of requests.

- **OUTSTANDING PERFORMANCE AND PRODUCTIVITY**
- **SPACIOUS OPERATOR ROOM AND COMFORT WITH ADVANCED MULTI FUNCTION OPERATION**
- **EASY MAINTENANCE**

**COMPACT TRACK LOADER**

# SVL75-3

Engine gross horsepower (SAE J 1995): 74.3 HP (55.4 kW)  
Rated operating capacity (35% of tipping load): 2490 lbs (1129 kg)  
Rated operating capacity (50% of tipping load): 3557 lbs (1613 kg)  
Bucket breakout force: 6191 lbs (2808 kg)  
Operating weight (Open Cab / Closed Cab, Including operator weight 165 lbs):  
9190 lbs (4169 kg) / 9420 lbs (4273 kg)



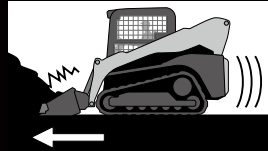
# Hydraulic System

## AMV Advanced Multifunction Valve (AMV)

The SVL75-3's hydraulic system features an innovative Advanced Multifunction Valve that provides smooth movements of all hydraulic functions when operated simultaneously. The AMV now allows operators to run the AUX hydraulics, bucket, and loader arm functions together without stalling.

### ● Electronic Travel Torque Management

Electronic Travel Torque Management System lets you work faster with more power. The ECU constantly monitors the load of the machine to optimally control hydraulic pump output according to the load, preventing engine stalls for smoother operation even under severe conditions.



### ● Hydraulic Pilot Control

This ensures consistent oil flow which allows smooth and dependable operator control and stability.

# -3 SERIES STYLE KUBOTA PRODUCTIVITY

With a new hydraulic system, reliable Kubota engine, efficient cooling fan management system, impressive travel performance, and more, the SVL75-3 is ready to take on any job.

# Traveling Features

## Faster Two-speed Travel

Shift from low gear at 5.6mph (0.9mph faster than SVL75-2) to high gear at 8.6mph (1.5mph faster than SVL75-2) to get the job done faster.

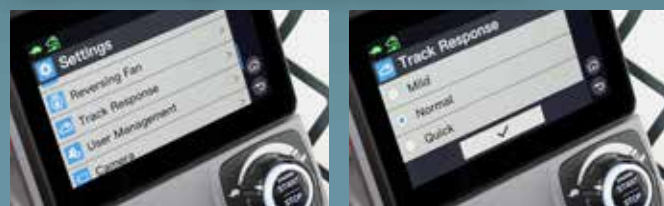
## Auto-shift

The auto-shift system enables automatic travel shift from high to low when turning in order to travel smoothly.



## Track Response

Operators now have the ability to change their travel response sensitivity through the use of the new LCD panel. The SVL75-3 offers you a choice of three track response settings: Mild, Normal, and Quick.

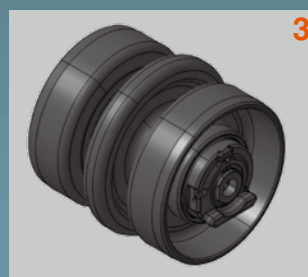
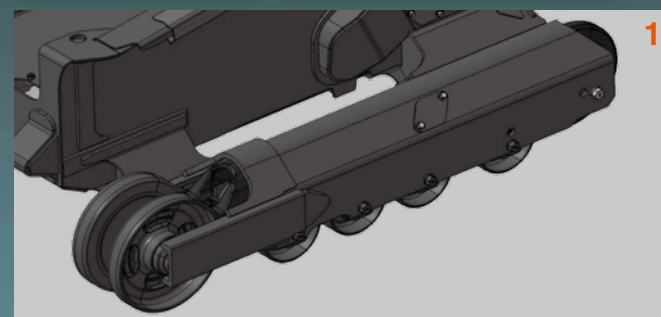


### ● Welded Mainframe and Under Carriage

**1. Welded, Integrated Mainframe and Undercarriage**  
The undercarriage forms an integral part of the main frame for maximum durability.

**2. Kubota Original Rubber Tracks**  
Kubota's original rubber tracks offer outstanding durability and long-life performance. Furthermore, Kubota's original lug pattern helps prevent soil from accumulating and improves traction force. 15.8" (400 mm) wide tracks are optional for the SVL75-3.

**3. Triple Flange Lower Track Rollers**  
A reliable triple flange design helps minimize the chance of detracking and helps improve stability. They are lifetime sealed and lubricated.



# Kubota Engine (Higher Maximum Torque)

## New Kubota Engine (Higher Maximum Torque)

A reliable 74.3 HP\* Kubota engine with higher maximum torque brings plenty of power for any task you may run into on the job site, letting you work faster and with greater efficiency. \* Engine HP Gross (SAE J1995)

### ● Cooling Fan Management

The SVL75-3's new cooling fan management system reduces the engine's cooling fan power requirement during high-load work, making that power available for power-hungry tasks while keeping the cooling function.

### ● Cooling System and Variable Fan

A hydraulically driven fan optimizes cooling and engine efficiency by varying the fan speed to maintain the appropriate water and oil temperatures. In cold weather the fan turns more slowly, allowing for faster engine warm-up.



Blue Fresh air Red Hot air



# Excellent Workability

### ● Higher Hinge Pin Height

The tip of the arm is optimally shaped for a tall hinge pin height of 122.7 inches making it easy to dump into any container or truck.

### ● Standard Self-leveling Function

This feature helps keep the bucket or fork in a horizontal position without the need to manually adjust the angle during lifting. Can be turned on or off with click of a switch.

### ● High-flow Hydraulics (Option)

Having high flow increases the hydraulic muscle for attachments that need more hydraulic horsepower. With this option auxiliary hydraulic flow increases to 29.8 gpm. The coupler manifold has both 1/2" and 3/4" couplers.



SVL75-3  
122.7"  
(3117mm)

SVL75-2  
119.1" (3025mm)

Difference  
3.6" (92mm)

# SPACIOUS OPERATOR ROOM AND COMFORT

New Cab, Technologies, A/C Performance make working in the most demanding conditions comfortable.



## One-Piece Sealed and Pressurized Cab

The new one piece cab helps prevent dirt, dust, rain, and other debris from entering the operator space. Furthermore, noise is kept down to let you work for long hours with minimal fatigue.



New one-piece type



Conventional type

## Sliding Front Door

The sliding front door can be opened regardless of the position of the bucket or loader arms. Full machine operation is possible with the door open if desired.

## LED Work Lights (Front and Rear)

LED lights allow to get job done easily in dark places or work during night.

## Wide Cab Entrance

A wide entrance makes it easier to get in and out.

## High Visibility Roof Panel

The larger upper windshield allows for increased operator visibility when dumping into containers or trucks.



## Improved A/C Performance

The climate control system provides an optimized airflow for outstanding cooling and heating performance—and supreme operator comfort—all year round.

## Technology

### Color LCD Touch Panel with Jog Dial

The SVL75-3's digital color LCD Touch Panel builds on the success of the Kubota's Intelligent Control System by providing a wide range of functions to keep you aware of the SVL75-3's operating status at all times. This new panel features touch and jog dial enabled controls for quickly selecting operations and functions, as well as easy-to-read indicators and alerts. The panel is positioned to the front right of the operator for excellent visibility and fast access.



**A.** Situation Indicator (such as working function, battery charge indicator etc..) **B.** Hydraulic Oil Temperature **C.** Coolant Temperature **D.** AUX Mode **E.** Fuel Level **F.** Menu Icons



### Rear View Camera

The standard rear view camera allows for better rear visibility on the job site. The rear view can be set to display constantly or only when the in reverse.



### Keyless Engine Start

The engine can be started by entering a 4 digit passcode using LCD Touch Panel and up to 51 user passwords can be set. With this new feature, customers no longer have to worry about lost keys.



### Radio with Bluetooth (Closed Cab only)

Standard on Closed Cab units, our new integrated bluetooth radio allows for seamless bluetooth streaming and hands free calling.

# EASY MAINTENANCE

Easier access to the engine compartment allows for easy and more efficient maintenance.

## EASY MAINTENANCE

### Top-mounted Radiator and Oil Cooler

Conveniently located on the top of the engine compartment, the radiator components are within easy reach for cleaning and routine maintenance.



- A. Dual Element Air Cleaner
- B. Fuel Filter
- C. Water Separator
- D. Coolant
- E. Battery

### Easier Engine Access

Wide range of the center cover can be removed.



### Tilt-up Cabin

The cab can be tilted 56.5° without having to lift the arm, allowing easy access to the hydraulic pumps, valves, lines and hydraulic tank.



## Equipment that Supports Easier Maintenance

### 1. Pre-cleaner

Keep dust and dirt away from the engine to reduce maintenance costs.

### 2. Reversing Fan (Option)

The SVL75-3's engine cooling fan periodically reverses direction, working with a fan mounted on the hood to help keep the engine free of dust and to ensure optimal air flow.

### 3. Door Enclosed Fuel Tank and Easy Refill Access

No need to open the door with lock. Simply lift a flap for quick and easy refueling.

### 4. Bigger Air Cleaner

The larger air cleaner helps prolong filter life and helps ensure a cleaner engine compartment.

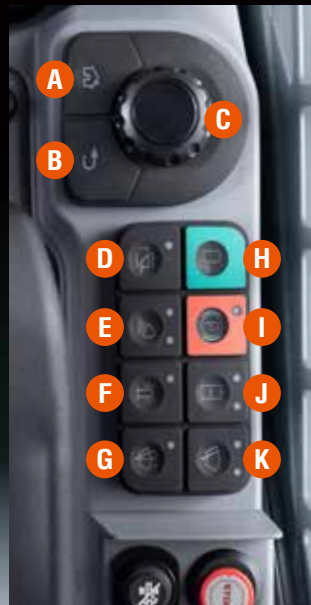


# EASY OPERATION



## ● New Jog Dial and Switches

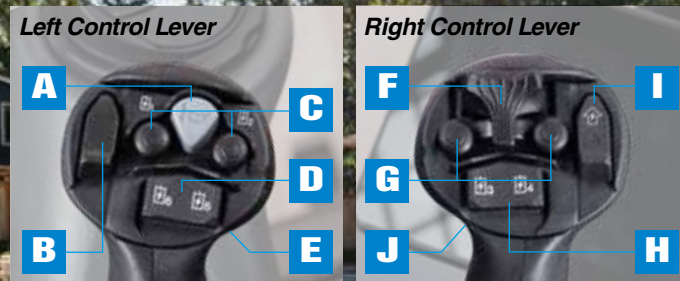
The new jog dial and switches are both intuitive and easy to use. Switch panel is back lit for working in dark conditions. Even first-time operators will be able to quickly access all important information.



- A. Home switch
- B. Return switch
- C. Jog dial
- D. Self leveling switch
- E. Working light switch
- F. Beacon light (Opt.) switch
- G. Washer switch (Closed Cab only)
- H. Hydraulic unlock switch
- I. Parking brake switch
- J. AUX port switch
- K. Wiper switch (Closed Cab only)

## ● Multi-function Levers

The multi-function levers provide fingertip control of all major vehicle and attachment operations, letting you keep both hands on the levers at all times for optimal operating efficiency. Standard on High-flow models, these levers can also be installed as a kit on Standard flow models.



- A. Horn
- B. -Not used-
- C. AUX1
- D. AUX2
- E. Travel Speed
- F. Proportional AUX Switch
- G. AUX Hold Switch
- H. AUX2
- I. AUX Mode Change
- J. Float Switch

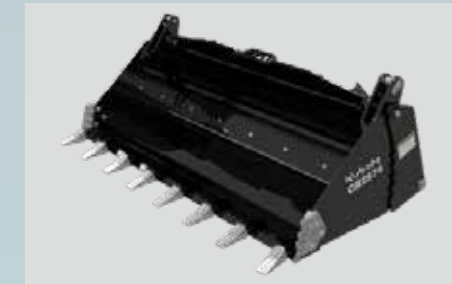
# ATTACHMENTS

The SVL75-3 Compact Track Loader can connect to a variety of attachments, letting you take on a wide and diverse range of tasks.

*\*Not all attachments are OEM-KUBOTA.*



■ Auger



■ 4-in-1 Bucket



■ Power Rake



■ Tree Puller



■ Rotary Cutter



■ Tiller



■ Box Blade



■ Trencher



■ Snow Blower

■ Heavy Duty Bucket

■ Grapple

■ Primary Seeder

■ Broom

■ Breaker

■ Ripper

■ Snow Blade

■ Road Saw

■ Loader Boom

■ Pallet Fork

■ Stump Grinder

■ Cold Planer

■ Polycarbonate Door (Option)

The polycarbonate door is available as an optional kit and is recommended for some attachments.

## EQUIPMENT

### STANDARD EQUIPMENT

- Open CAB
- Top / Rear window
- 2" Retractable seat belt
- Operator presence control
- Pull down arm rest
- LCD touch panel with jog dial
- Dial and Foot throttle
- Rear view camera
- Keyless engine start
- Rear view mirror
- 12V electric outlet
- USB port
- Radio with bluetooth (Closed CAB)
- LED work lights (Front 2 / Rear 2)
- Horn
- Backup alarm
- Travel alarm
- Mechanical quick coupler
- Bucket self-leveling (up only)
- Wet disc parking brake
- Two-speed travel
- Auto-shift
- Track Response
- Rubber crawler (320mm)
- Pre-cleaner
- Door enclosed fuel filler port

### OPTIONAL EQUIPMENT

- Closed CAB (w/ air conditioning)\*
- High-flow hydraulics\* (1/2" and 3/4" couplers)\*
- 14-pin coupler (standard on high flow model)
- Hydraulic quick coupler\*
- Rubber crawler (400mm)\*
- Reversing fan\*
- Polycarbonate door
- Additional counterweight
- CCV heater kit (standard on Closed CAB)
- CCV pressure switch and relief valve kit (standard on Closed CAB)
- Rear bonnet lock kit
- 3" Retractable seat belt
- Strobe light
- Beacon light
- Engine block heater
- ...and much more.

\*Factory Option